

 Deutsche
 Qualität
 Garantiert



132

HALF
CELLS

210
mm

CELL
SIZE



LID
RESISTANT



PID
RESISTANT



SALT CORROSION
RESISTANT



SAND
RESISTANT



AMMONIA
RESISTANT



HIGHLY STABLE
AND TOUGH



AURORA

HIGH ENERGY YIELD
RELIABILITY
DURABILITY

30

years
Performance
Guarantee

15

years
Product
Warranty

MONO-CRYSTALLINE PV MODULES
HALF-CUT CELLS • MONO-FACIAL

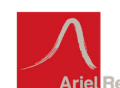
645W-665W

AE ME-132 Series



IEC 61215
IEC 61730
Regular Production Surveillance
Type Tested and Monitored

IEC 62716 (Ammonia corrosion)
IEC 61701 (Salt mist corrosion)
IEC 60068 (Sand and dust)
IEC 62804 (PID resistance)



www.ae-solar.com

AE ME-132 Series 645W-665W

Mechanical and design specification

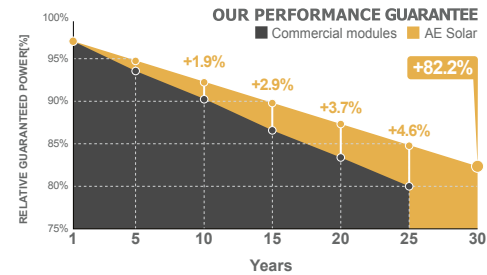
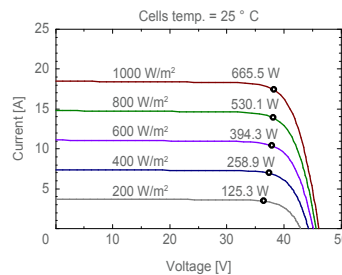
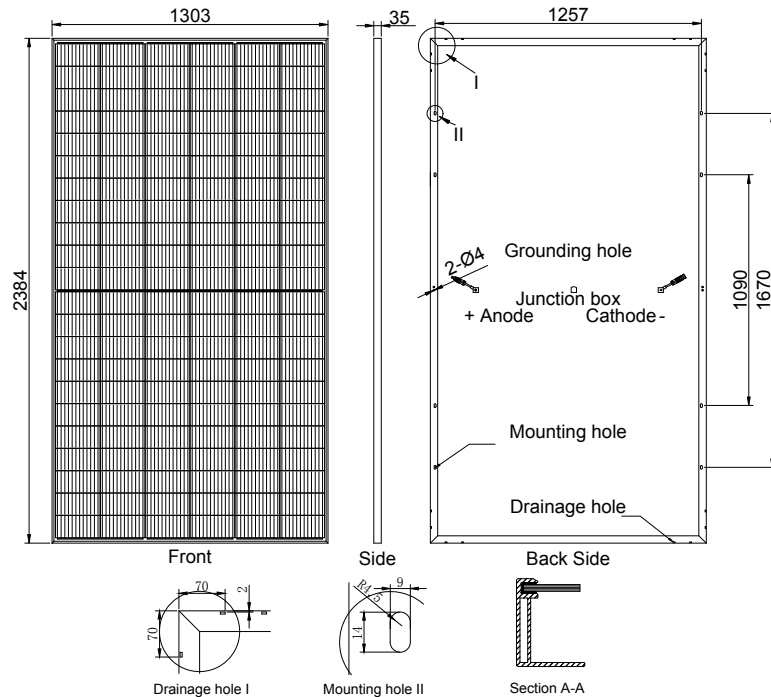
Cell type	Gallium-doped Mono c-Si PERC, Half-cut cells, 210 mm
No. of cells	132
Glass	3.2 mm, high transmission, AR coated, tempered
Encapsulation	EVA
Back cover	White backsheet
Junction box	IP 68 rated
Frame	35 mm anodized Aluminium alloy
Cable	1 x 4 mm ² , 350 mm length or customized
Connectors	MC 4 / MC 4 compatible
Dimension	2384 mm x 1303 mm x 35 mm
Weight	33.9 kg
Hail resistance	Max. Ø 25 mm at 23 m/s
Wind load	2400 Pa/ 244 kg/ m ²
Mechanical load	5400 Pa/ 550 kg/ m ²

Packaging information

Packaging configuration	31 pcs / pallet
Loading capacity	527 pcs / 40 HQ
Size / Pallet	1350 mm x 1140 mm x 2500 mm (Stand on end)
Weight	1090 kg / pallet

Temperature ratings

Operating temperature	(°C)	-40 to +85
Temp.coefficient of P _{max}	(%/°C)	-0.34
Temp.coefficient of V _{oc}	(%/°C)	-0.25
Temp.coefficient of I _{sc}	(%/°C)	0.04
Nom. operating temp. NOCT	(°C)	43 ± 2



Electrical specifications (STC*):	AE645ME-132	AE650ME-132	AE655ME-132	AE660ME-132	AE665ME-132	
Nominal Max. Power	P _{max} (Wp)	645	650	655	660	665
Maximum operating voltage	V _{MPP} (V)	37.20	37.40	37.60	37.80	38.00
Maximum operating current	I _{MPP} (A)	17.34	17.38	17.42	17.46	17.50
Open-circuit voltage	V _{oc} (V)	45.30	45.50	45.70	45.90	46.10
Short-circuit current	I _{sc} (A)	18.25	18.32	18.38	18.43	18.49
Module efficiency	η (%)	20.76	20.92	21.09	21.25	21.41
Power tolerance	(W)			0~+5		
Maximum system Voltage	(V)			1500		
Maximum series fuse rating	(A)			30		

*STC: Standard test conditions (Irradiance 1000 W/m², Cell temperature 25°C and air mass of AM1.5)

Electrical specifications (NMOT*):	AE645ME-132	AE650ME-132	AE655ME-132	AE660ME-132	AE665ME-132	
Nominal Max. Power	P _{max} (Wp)	484	488	492	496	500
Maximum operating voltage	V _{MPP} (V)	34.90	35.10	35.30	35.50	35.70
Maximum operating current	I _{MPP} (A)	13.87	13.90	13.94	13.97	14.00
Open-circuit voltage	V _{oc} (V)	42.20	42.40	42.60	42.80	43.00
Short-circuit current	I _{sc} (A)	14.60	14.66	14.70	14.74	14.79

*NMOT: Normal Module Operating Temperature (Irradiance 800 W/m², Ambient temperature 20°C, air mass of AM1.5 and wind speed of 1 m/s)

The specifications and characteristics contained in this datasheet may deviate slightly from our actual products due to the product developments and uncertainty of measurement devices. The specifications included in the datasheet are subject to change without prior notice.